



Construction Install Instructions

Fixture X - PrismaLite LED

READ AND FOLLOW ALL SAFETY INSTRUCTIONS!
SAVE THESE INSTRUCTIONS AND DELIVER TO OWNER AFTER INSTALLATION

- To reduce the risk of death, personal injury or property damage from fire, electric shock, falling parts, cuts/abrasions, and other hazards please read all warnings and instructions included with and on the fixture box and all fixture labels.
- Before installing, servicing, or performing routine maintenance upon this equipment, follow these general precautions.
- Installation and service of luminaires should be performed by a **qualified licensed electrician**.
- Maintenance of the luminaires should be performed by person(s) familiar with the luminaires' construction and operation and any hazards involved. Regular fixture maintenance programs are recommended.
- It will occasionally be necessary to clean the outside of the refractor/lens. Frequency of cleaning will depend on ambient dirt level and minimum light output which is acceptable to user. Refractor/lens should be washed in a solution of warm water and any mild, non-abrasive household detergent, rinsed with clean water and wiped dry. Should optical assembly become dirty on the inside, wipe refractor/lens and clean in above manner, replacing damaged gaskets as necessary.
- **DO NOT INSTALL DAMAGED PRODUCT!** This luminaire has been properly packed so that no parts should have been damaged during transit. Inspect to confirm. Any part damaged or broken during or after assembly should be replaced.
- If the lamp is marked (Hg) it contains Mercury. Follow all disposal laws. See www.lamprecycle.org.
- These instructions do not purport to cover all details or variations in equipment nor to provide every possible contingency to meet in connection with installation, operation, or maintenance. Should further information be desired or should particular problems arise which are not covered sufficiently for the purchaser's or owner's purposes, this

	WARNING RISK OF ELECTRIC SHOCK
<ul style="list-style-type: none">✓ Disconnect or turn off power before installation or servicing.✓ Verify that supply voltage is correct by comparing it with the luminaire label information.✓ Make all electrical and grounded connections in accordance with the National Electrical Code (NEC) and any applicable local code requirements.✓ All wiring connections should be capped with UL approved recognized wire connectors.	
	CAUTION RISK OF INJURY
<ul style="list-style-type: none">✓ Wear gloves and safety glasses at all times when removing luminaire from carton, installing, servicing or performing maintenance.✓ Avoid direct eye exposure to the light source while it is on.	

	WARNING RISK OF BURN
<ul style="list-style-type: none">✓ Allow lamp/fixture to cool before handling. Do not touch hot lens, lamp, guard, or enclosure.✓ Do not exceed maximum wattage marked on luminaire label.✓ Follow all lamp manufacturer's warnings, recommendations and restrictions on lamp operation including but not limited to: ballast type, burning position, replacement, and recycling.✓ Use only lamps that comply with ANSI standards.	
	CAUTION RISK OF FIRE
<ul style="list-style-type: none">✓ Keep combustible and other materials that can burn away from lamp/lens.✓ Do not operate in close proximity to persons, combustible materials or substances affected by heat or drying.	



Construction Install Instructions Fixture X - Primatite LED

Figure 1

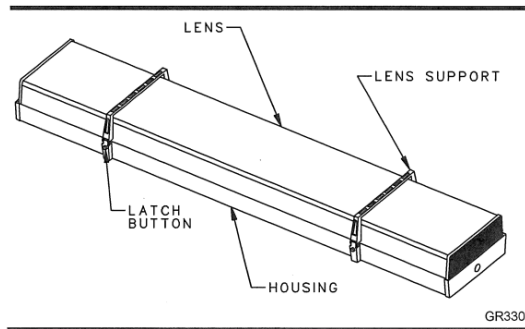


Figure 2



Primatite Applications: The Primatite LED commercial light fixture is designed for ceiling and wall mounting where heavy environmental conditions exist. This fixture is rated for wet locations and can be water pressure washed with most commercial washers. The Primatite fixtures were initially configured as fluorescents as installed in the LA Metro. Existing units were retrofitted with Go Green LED tubes and are also provided as new LED OEM configured fixtures with two LED tube options.

The standard fixture under option #1 is designed for mounting horizontally in bored, round tunnels at a height of 7' from walkway to lowest part of fixture. For cut/cover tunnels with vertical walls, two 45 degree stainless steel wall brackets are required to tilt the fixture down to illuminate the walkway below.

Option #2 is for installation on ceiling or walls for general illumination where more light is desired. The LED tubes provided for these applications have rotatable end caps to orient the maximum light output in either direction 90 degrees from center.

Part Numbers: Go Green Primatite LED Transit Fixtures

The fixtures can be supplied in one of two ways:

1. **Option 1 #7200412 JP1LB 28w5k**
(Tunnel mount @45 degrees)
Fixture with (2) **T12D48-14wND22** Led tubes
2. **Option 2 #7200412 JP1LB 36w4kR**
(Wall or ceiling mount)
Fixture with (2) **T8N48-18w C-R** LED tubes (rotatable)



Construction Install Instructions

Fixture X - PrismaLite LED

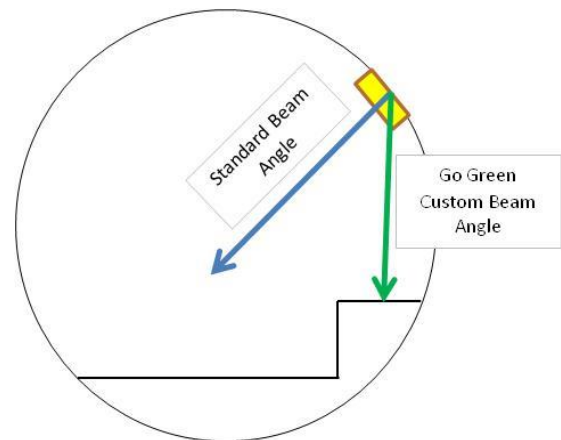
Accessories:

- PrismaLite 45 degree wall bracket kit w/hardware:
- PrismaLite internal Littlefuse holder/fuse 3amp assembly:
- Replacement Lens Assembly (with clear end caps):
- Blue Sleeve (T12 size x 48"):
- Replacement 14watt Option #1 LED Tube:
- Replacement 18watt Option #2 LED Tube:

- #P45-SS
- #LHR/LGR-3
- #7101-C
- #T12-SL-BL
- #T12D48-14wND22
- #T8N48-18w C-R

Tunnel Applications:

Normal application in bored/round tunnel



45 degree bracket for use in cut/cover tunnels with vertical walls
Bracket attaches to fixtures with supplied hardware

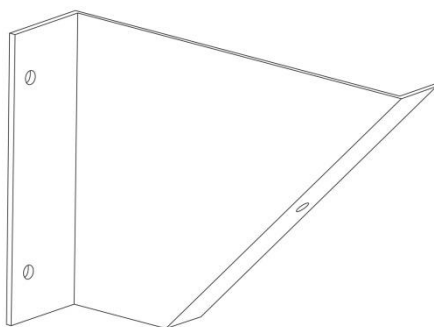
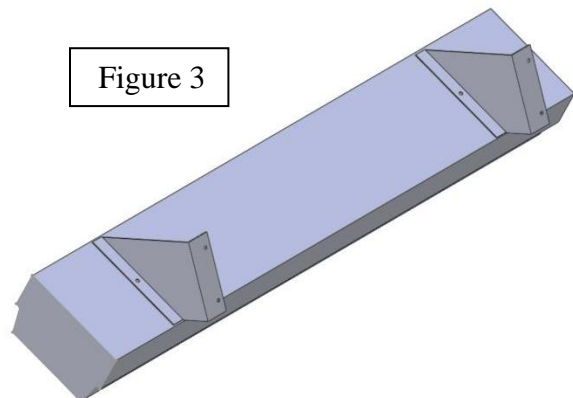


Figure 3





Construction Install Instructions Fixture X - PrismaLite LED

After Installation Deliver this
Manual to Owner

WARNING – Read these instructions carefully before attempting to install or maintain this fixture. Work must be done by qualified personnel.
WARNING – Be certain that all electrical power is disconnected from the fixture before installing or maintaining the fixture.
WARNING – Failure to follow these warnings may result in death, injury or significant property damage.

1. INTRODUCTION

1.1 Product Description. The PrismaLite LED Fixture X has been designed and tested in accordance with UL standards and are suitable for use in wet locations and with ambient temperatures up to 25 degrees C.

- PrismaLite fixture can be surface mounted or bracket mounted
- Major components are identified in figure 1
- The LED tube lamps can be accessed by pressing the latch buttons on one side of the lens. Rotate lens open to replace lamps
- Electrical wiring components are inside the floor of the housing. They can be accessed by removing the housing cover.

2. Installation.

2.1 Tools and Materials Required.

- 7/16" nut driver, Power drills
- 1/4" fasteners and drivers

2.2 General Installation of Luminaire.

2.2.1 The luminaire is contained in one box. Open and examine.

2.2.2 Rest luminaire on flat surface with lens side up.

2.2.3 Open luminaire by pressing both sets of latch buttons on sides of lens. Remove lens.

2.2.4 Remove interior cover. Lift up on the quarter turn spring loaded fasteners located on each end between the sockets. Rotate fasteners until they are in line with the slot on the interior cover. Remove the cover. Proceed to 2.3 Surface Mounting or 2.4 Tunnel Mounting with 45 degree bracket.

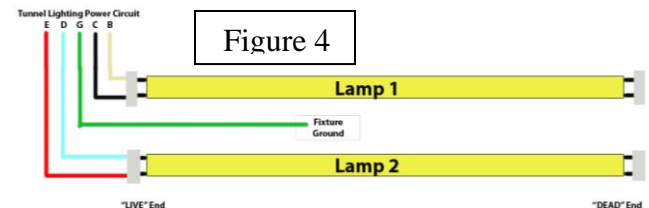
2.3 Surface Mounting.

2.3.1 Locate the two mounting holes at the back of the housing 6.4" from each end in the center.

2.3.2 Mount the luminaire to a flat surface or structure with 1/4" fasteners. Use the nylon washer provided between housing and fastener head. **Note: When using in tunnel application, the fixture shall be mounted with the "Live End" decal (see figure 2) oriented to the right side. This identifies the side of the fixture that is energized when installing the LED tubes.**

2.3.3 Wireway entry is achieved by removing the 3/4" threaded conduit plugs on either end cap.

2.3.4 Wire per NEC (National Electrical Code) or use tunnel wire diagram shown in figure 4.



2.3.5 Replace interior cover. Quarter turn fasteners must protrude through slots in cover. Rotate quarter turn fastener 90 degrees and position flat against cover.



Construction Install Instructions

Fixture X - Prismatite LED



2.3.6 Install correct LED tubes.

- a. For tunnel locations above emergency walkways, use T12 LED tubes (T12D48-14wND22) with black end cap inserted into right side bi-pin sockets. This will orient LED tubes to face down at a 45 degree angle as shown below.



- b. For general illumination walls or ceilings, use T8 LED tubes (T8N48-18w C-R) with energized end of tube installed into end of fixture marked with “Live End” decal (figure 2). Note tubes are provided with rotatable end caps for user adjustment if desired as shown below.



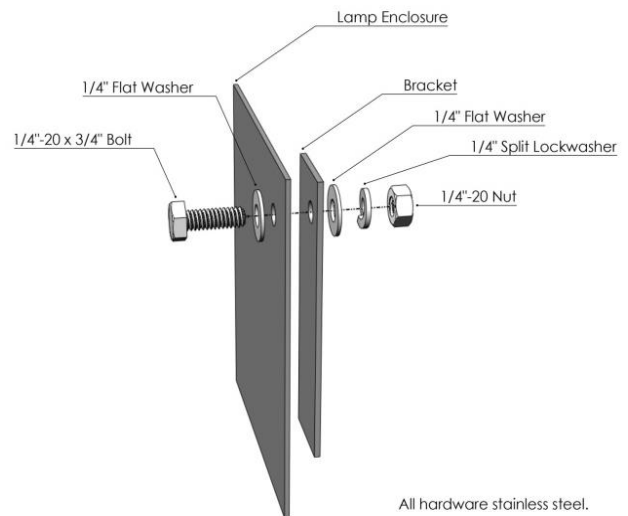
- 2.3.7 Replace the lens housing by aligning with latch brackets and push on lens brackets until latches engage with an audible click. Do not push on the plastic lens. Make sure all latches are engaged.

2.4 Tunnel Mounting with 45 degree brackets

2.4.1 Locate the two mounting holes at the back of the housing 6.4” from each end in the center.

2.4.2 Organize the parts in one 45 degree wall mounting kit (P45-SS) consisting of: (2) 45 degree brackets, (2) 3/4” 1/4-20 hex head bolts, (4) flat washers, (2) split washers & (2) nuts.

2.4.3 Attach the brackets to the luminaire as shown in figure 3 **making sure that the live end decal** (figure 2) **is on the right side** when looking at the luminaire from the front. Using a 7/16” tool, attach the brackets with the provided hardware as shown below.



2.4.4 Seal the exterior nuts with silicone sealant.

2.4.5 Mount the luminaire with brackets attached to the wall at a height of 7’ above the emergency walkway to the lowest point of the luminaire lens housing.

2.4.6 Wireway entry is achieved by removing the 3/4” threaded conduit plugs on either end cap.

2.4.7 Wire per NEC (National Electrical Code) or use tunnel wire diagram shown in figure 4.



Construction Install Instructions

Fixture X - Prismatite LED

2.4.8 Replace interior cover. Place cover into position. Quarter turn fasteners must protrude through slots in cover. Rotate quarter turn fastener 90 degrees and position flat against cover.

2.4.9 Install T12 LED tubes as described in section 2.3.6 a. (T12D48-14wND22)

2.4.10 Replace the lens housing by aligning with latch brackets and push on lens brackets until latches engage with an audible click. Do not push on the plastic lens. Make sure all latches are engaged.

2.5 Burn In Requirement.

LED tubes are required to be energized continuously for 24 hours under normal electrical supply conditions to insure that the system has been properly installed and wired.

3. Maintenance.

3.1 Relamping and Cleaning.

3.1.1 Disconnect all electrical power to the luminaire before servicing.

3.1.2 Wipe off exterior dirt & debris.

3.1.3 Open luminaire by pressing latch buttons on one side of lens. Rotate open.

3.1.4 Remove lamp and return to Go Green for recycling.

3.1.5 Install new LED tube(s).

3.1.6 Swing the lens closed and push up on the lens supports until the latches engage with an audible click. Do not push on the plastic lens. Make sure all latches are engaged.

3.1.7 It will occasionally be necessary to clean the outside of the refractor/lens. Refractor/lens should be washed in a solution of warm water and any mild, non-abrasive household detergent, rinsed with clean water and wiped dry. Wipe inside refractor/lens and clean in above manner, replacing damaged gaskets as necessary.

LED IMPORTANT SAFETY INSTRUCTIONS

Go Green Solutions assumes no responsibility for claims arising out of improper or careless installation or handling of its products.

- **Do NOT Install Damaged Product!** This luminaire has been properly packed so that no parts should have been damaged during transit. Inspect to confirm. Any part damaged or broken during or after assembly should be replaced.

LED products are Polarity Sensitive. Ensure proper Polarity before installation.

- **Recycle:** T12 Go Green LED tubes are a “cradle to cradle” product that have a trade in value for the purchase of new tubes. Please contact: www.GoGreenSolutions.com to arrange for a trade in.

For information on how to recycle other LED electronic products, please visit www.epa.gov.

- These instructions do not purport to cover all details or variations in equipment nor to provide every possible contingency to meet in connection with installation, operation, or maintenance. Should further information be desired or should particular problems arise which are not covered sufficiently for the purchaser’s or owner’s purposes, this matter should be referred to Go Green Solutions.

Go Green Solutions 626-578-0678

info@GoGreenSolutions.com