

GENERAL DESCRIPTION

WALL MOUNTED SOLID STATE LED FIXTURE WITH CLEAR DIFFUSER FOR USE IN TUNNEL SECTIONS.

LED REQUIREMENTS:

EACH SOLID STATE LED TUNNEL LIGHT FIXTURE SHALL MEET THE FOLLOWING REQUIREMENTS:

- INPUT VOLTAGE = 277 VOLTS
- TOTAL FIXTURE WATTAGE = LESS THAN 36 WATTS
- INITIAL MINIMUM LUMENS PER FIXTURE = 1250
- LUMEN EFFICIENCY = MINIMUM OF 70
- LED TEMPERATURE = 5,000 DEGREES KELVIN +/-200 DEGREES KELVIN
- COLOR RENDERING INDEX = MINIMUM OF 75
- POWER FACTOR = 0.90 OR GREATER
- TOTAL HARMONIC DISTORTION = NO GREATER THAN 25%
- IESNA LM-79 THIRD PARTY TESTING PROVIDED BY DOE LISTED LAB
- IESNA LM-80 REPORT PROVIDED BY CHIP MANUFACTURER

PHOTOMETRIC OPTIONS:

1. CLEAR LENS

MOUNTING OPTIONS:

1. SURFACE MOUNTING UNISTRUT WITH HARDWARE
2. PENDANT MOUNTING HARDWARE

ACCESSORIES OPTIONS:

0. NOT APPLICABLE
1. BLUE LIGHT T12 SLEEVE (T12-SL-BL)

FINISH MATERIALS:

HOLOPHANE PRISMATITE EXTRUDED ALUMINUM HOUSING AND DURABLE PRISMATIC ACRYLIC LENS, CORROSION-RESISTANT, SEALED BY NEOPRENE GASKET, SUITABLE FOR WET LOCATIONS AND CAPABLE TO WITHSTAND HIGH PRESSURE WASHING (MODEL #7200412JP1LB)

SAFETY LISTINGS:

EACH SOLID STATE LED TUNNEL LIGHT FIXTURE SHALL MEET THE FOLLOWING LISTING REQUIREMENTS:

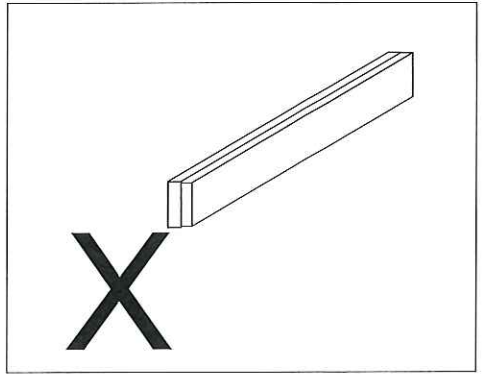
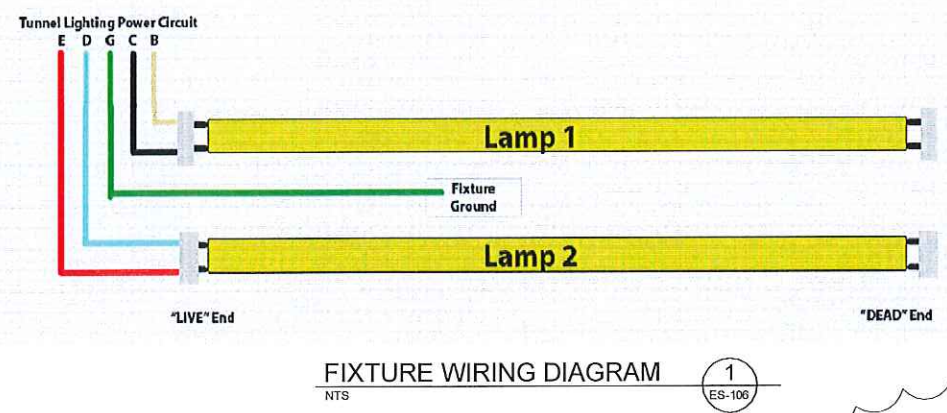
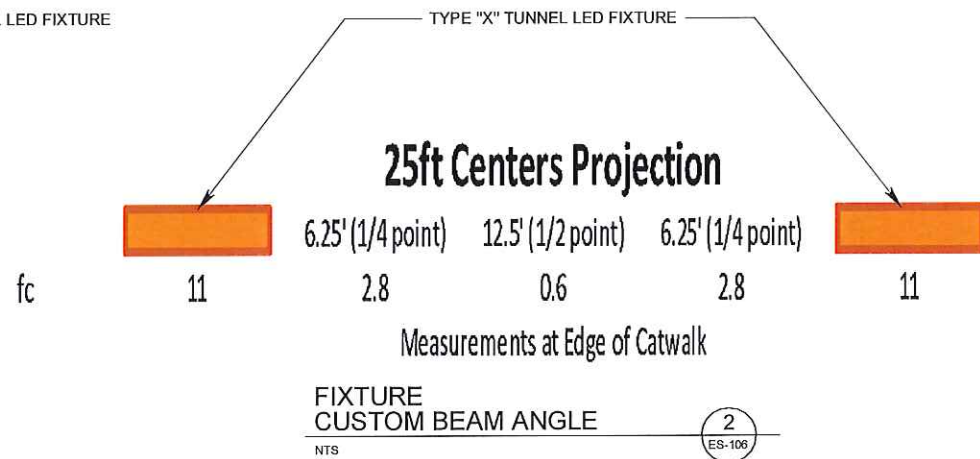
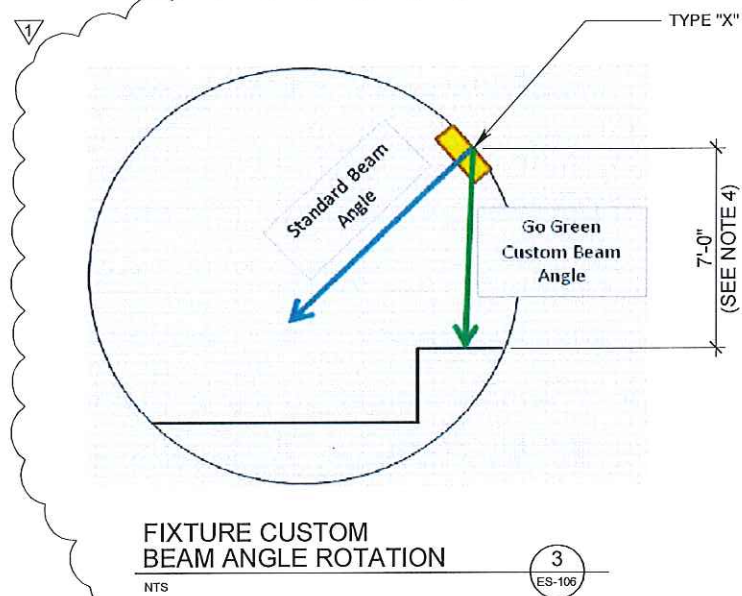
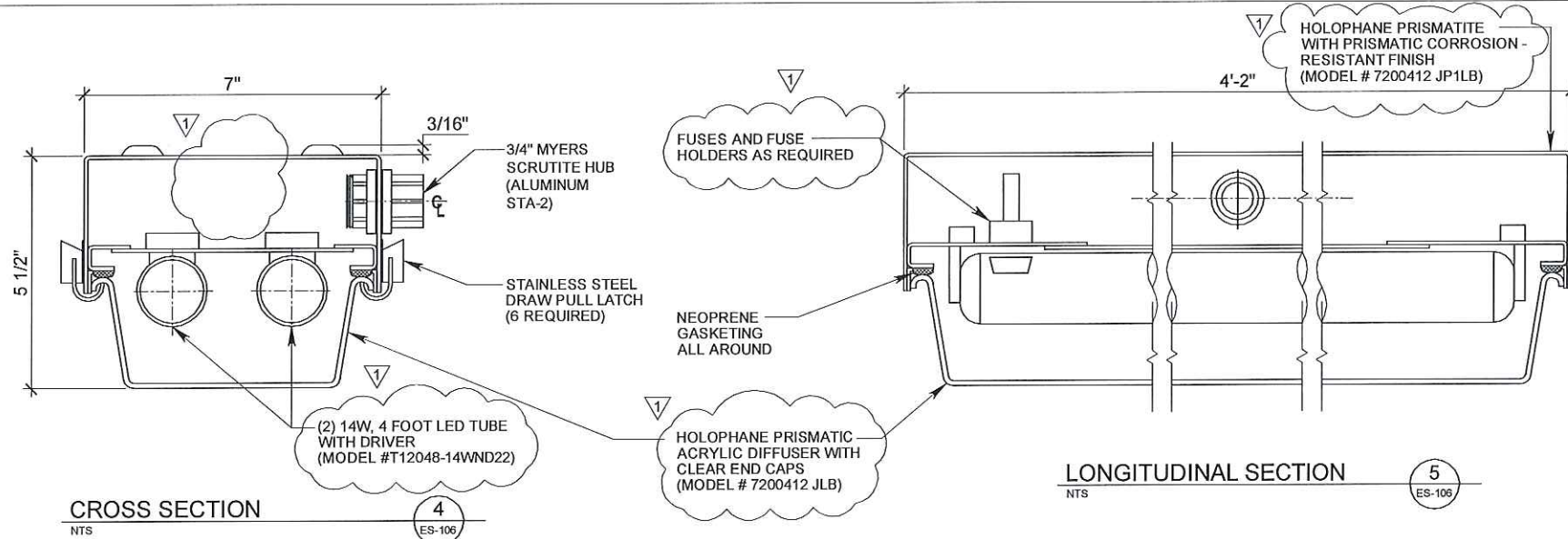
- NFPA 130 AND 101
- NEC ARTICLE 310
- NEMA APPLICABLE STANDARDS
- ASTM 162 AND 1662
- IEEE 383
- METRO REDLINE LED (LIGHT EMITTING DIODE) TUNNEL LIGHTING CONTRACT NO. OP 39602864
- ALL APPLICABLE CODES AND STANDARDS

REMARKS:

FIXTURE & MOUNTING SHALL WITHSTAND AIR PRESSURE WAVE RANGING FROM +80 PSF TO -80 PSF REPETITIVELY WITH EACH PASSING TRAIN. REFERENCE SPECIFICATIONS 26 50 00.

MANUFACTURERS OR APPROVED EQUAL UPON TESTING AND ACCEPTANCE BY FIRE, LIFE & SAFETY:

- GO GREEN SOLUTIONS



NOTES:

1. THE TUNNEL LIGHTS THAT ARE NEAREST TO THE CROSS PASSAGES OR CORRIDOR SHALL BE DEDICATED AS A BLUE LIGHT.
2. PROVIDE UL CERTIFICATION FOR THE COMPLETE FIXTURE (MODIFIED OR NEW) WITH ASSOCIATED DOCUMENTATION INCLUDING UL CERTIFIED COMPONENTS ASSOCIATED WITH FIXTURE.
3. EACH MODIFIED OR REPLACED LED FIXTURE UNITS SHALL BE ACCOMPANIED BY A STATED TEN (10) YEAR WARRANTY THAT WILL STAY UPON INSTALLATION FOR THE SPECIFIED TIME AND INCLUDE A METRO COST ALLOWANCE OF \$300 PER FAILED UNIT DURING THE WARRANTY PERIOD LISTED FOR RECOVERY AND REPLACEMENT OF THE FAILED UNIT.
4. WHEN MOUNTED 7 FEET ABOVE THE WALKWAY, THE FIXTURES WILL PROVIDE APPROXIMATELY 11 FC DIRECTLY BELOW THE FIXTURE. AT THE NODAL POINT (12.5 FEET) BETWEEN TWO FIXTURES SPACED AT 25 FOOT ON CENTERS, ILLUMINATION SHALL BE 0.6 FC AND AT THE QUARTER POINTS (6.25 FEET AND 18.75 FEET BETWEEN FIXTURES, ILLUMINATION ON THE WALKWAY IS ESTIMATED TO BE ±2.8 FC.
5. EACH FIXTURE SHALL CONTAIN TWO (2) SOLID STATE LED LAMPS. ONE LAMP SHALL BE POWERED ON CIRCUIT #1 WHILE THE OTHER LAMP SHALL BE POWERED BY CIRCUIT #2 TO ENSURE RELIABILITY AND REDUNDANCY PER NFPA 130.

ES-106 REV 10/10 - LAST PLOTTED ON Wed 07/31/13 - 11:30AM BY rbrn

DESIGNED BY R. BICARME	A SIGNED & SEALED ORIGINAL OF REV 0 OF THIS DRAWING IS MAINTAINED BY METRO
DRAWN BY A. RUBIN	
CHECKED BY F. CASTRO	
IN CHARGE F. CASTRO	
DATE MAY 10, 2010	

07/31/13	MR	SM	E17227	06/30/14	M. DEL ROSARIO	REVISED PER SBCN 2013-28
05/10/10						RE-BASELINED
REV	DATE	BY	APP	REG. NO.	EXPIRES	DESCRIPTION

LOS ANGELES COUNTY METROPOLITAN TRANSPORTATION AUTHORITY	METRO RAIL ELECTRICAL STANDARD	CONTRACT NO.
		DRAWING NO. ES-106 REV 1
<div style="border: 1px solid black; border-radius: 50%; padding: 10px; text-align: center;"> TUNNEL / SUBWAY TYPE "X" LED TUNNEL LIGHT FIXTURE </div>		SCALE
		NO SCALE
		SHEET NO.